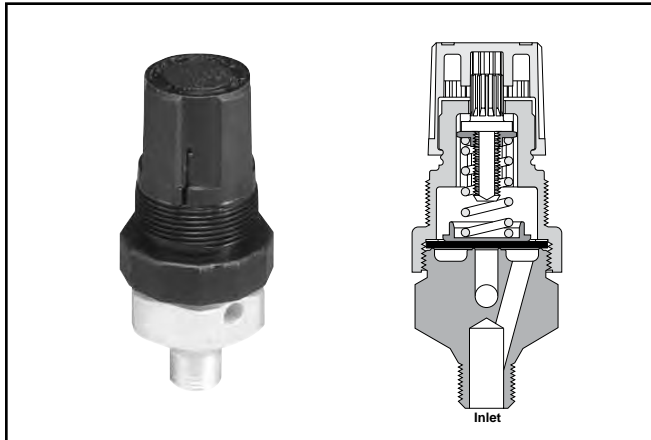
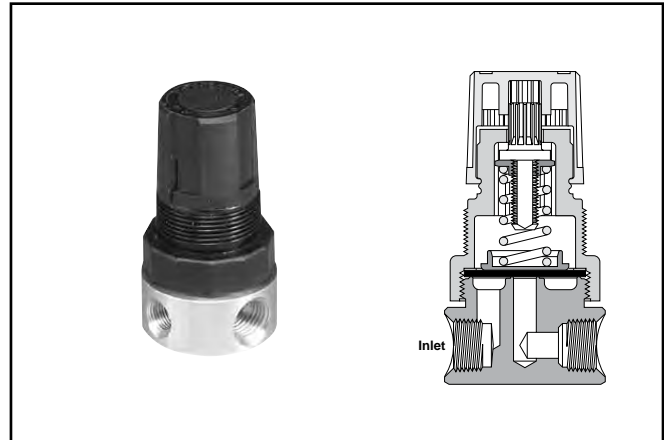


130 Relief Valve



134 Relief Valve



Features

- Compact, sensitive diaphragm-type relief valve.
- Push-pull, locking knob.
- Knob and top work the same as a miniature regulator.
- 130 has lightweight aluminum construction.
- 134 has a brass body, captured exhaust and is an inline type with 3 inlet ports and 1 outlet port.

Applications

- Designed to protect against excessive pressure buildup in a pneumatic circuit or system.
- For use where gradual proportional relief is required.

Operation

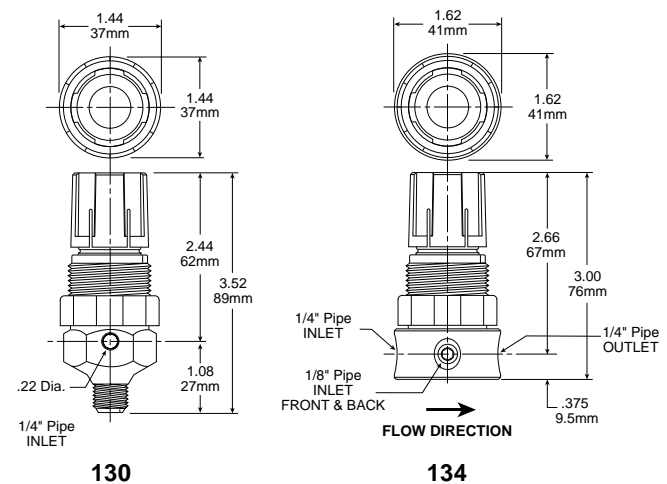
- Turn relief valve knob clockwise for maximum pressure.
- Set pressure going into relief valve at desired pressure.
- Turn relief valve knob counter-clockwise until exhaust starts to bleed.
- Turn relief valve knob clockwise until exhaust stops bleeding. Push to lock knob.

Ordering Information

Relief Valve	Spring Range			
	0-15 PSIG	0-25 PSIG	0-50 PSIG	0-100 PSIG
130	130-02AA	130-02A	130-02B	130-02C
	130-02AAP*	130-02AP*	130-02BP*	130-02CP*
134	134-02AA	134-02A	134-02B	134-02C
	134-02AAP*	134-02AP*	134-02BP*	134-02CP*

* Panelmountnutincluded.

Dimensions



Relief Valve Kits

- Bonnet Assembly KitPCKR364Y
- Panel Mount Nut PR05X51

Specifications

- Relief Range 0 to 100 PSIG (0 to 6.9 bar)
- Maximum Inlet Pressure 300 PSIG (20.7 bar)
- Operating Temperature 40°F to 120°F (4°C to 49°C)
- Port Threads:
 - 130 1/4" Pipe Male Only
 - 134 Inlet Port – Two 1/8" & One 1/4" Pipe
Outlet Port – 1/4" Pipe

Materials of Construction

- Adjusting Knob Polypropylene
- Adjusting Screw Zinc-plated Steel
- Body Aluminum (130); Brass (134)
- Diaphragm / Disc Buna-N
- Nut Chromated Steel
- Spring Cage Acetal
- Spring Zinc-plated Steel